

Individual Permit Application

for a **Lake Encroachment Permit** under
Chapter 11 of Title 29, § 401 *et seq.*

For Lake Encroachment Permitting Use Only

Application Number: 2016-005



VERMONT DEPARTMENT OF
ENVIRONMENTAL CONSERVATION
**WATERSHED
MANAGEMENT DIVISION**
LAKES & PONDS PROGRAM

Submission of this application constitutes notice that the person in Section B intends to encroach beyond the mean water level of a lake or pond, and certifies that the project will comply with Chapter 11 of Title 29, § 401 *et seq.* All information required on this form must be provided, and the requisite fees (Section I) must be submitted made payable to the State of Vermont, to be deemed complete.

A. Project Information

1. Physical Address (911 Address): **Mile Marker 4.9, VT Route 30**

2. Town - County: **Castleton - Rutland**

2b. Zip: **05735**

3. SPAN (The School Parcel Account Number is required for your application to be deemed complete. It can be obtained from your property tax bill. If you cannot locate your property tax bill, please obtain this information from your Town Clerk)

N/A

4. Name of lake/pond: **Bomoseen Lake - Castleton**

B. Applicant (landowner if applicable) Contact Information

1. Name: **Agency of Transportation - District 3 - Jim Caulin Technican**

2a. Mailing Address: **61 Valley View**

2b. Municipality: **Mendon**

2c. State: **VT**

2d. Zip: **05701**

3. Phone: **802-353-3038**

4. Email: **james.caulin@vermont.gov**

C. Application Preparer Contact Information

1. Name: **James Caulin**

2a. Mailing Address: **61 Valley View**

2b. Municipality: **Mendon**

2c. State: **VT**

2d. Zip: **05701**

3. Phone: **802-353-3038**

4. Email: **james.caulin@vermont.gov**

D. Have you ever applied for a permit with the Department of Environmental Conservation associated with this parcel? Yes No

E. Abutting Land Owners

Using the abutter addendum available on watershedmanagement.vt.gov/permits/html/pm_encroachment-application.htm, attach a list of land owners who abut the proposed project.

F. Project Description

1. Describe the proposed project including a description of the materials and mechanical equipment which may be used during construction and the anticipated work schedule. Identify whether or not the project includes placement or removal of fill and if so, specify the number of cubic yards of fill or dredged materials to be placed or removed beyond the shoreline at mean water level.

Culvert failure at MM 4.9 has cause slope failure in our Right of Way and into the Lake. Our proposed project will include replacing the existing failed culvert. While we are there we will also place type III Stone into the slope region on a 1:6 slope. Then after coming up 4 feet. Lay back the slope to 1:1 1/2 with type II Stone.

On top of the stone, we propose to add vegetative growth for permanent stability. The number of cubic yards of fill to be placed at the mean water level is minimal at 5 CY.

There are no abutting land owners. This is a slope that is in the Vermont AOT ROW.

2. Describe the purpose of the proposed project:

The purpose of this project is to continue proper drainage along Vermont Route 30. The secondary reason is to re-establish a stable slope along our roadway. This will reinforce our existing guardrail and retain adequate shoulder widths.

We need to protect our infrastructure and re-establishing the failed slope is vital to VT 30 protection.

3. Describe what less intrusive feasible alternatives have been considered:

This is the least intrusive method feasible to attain our goals.

4. Describe the public benefits of the proposed project:

The public benefit is that VT Route 30 will not collapse into the lake and travel for this state roadway will remain open.

G. Encroachment Effects (describe how the proposed project will affect the following)

1. What measures are proposed to minimize the project's effects on water quality (e.g., use of a turbidity curtain)?:

This is such a small project in our eyes. We do want to mitigate any effects on the lake and wildlife. We could certainly use a turbidity curtain however it seems extreme for our limited project. We will be placing rip rap stone against the failed slope and establishing vegetative growth.

2. How will the project minimize effects to fish and wildlife habitat (e.g., project is not to commence until after fish spawning July 1 of any calendar year)?:

This project is extending 3 feet into the lake shoreline which was a slope prior to the failure. We are just putting back what was previously there.

There will be no impact on the fish and wildlife habitat.

3. Does the project propose removal of aquatic or shoreline vegetation? If so, what measures are proposed to reduce the effects of vegetation removal?:

Absolutely not.

4. Describe the surrounding shoreline. Is the project consistent with these surroundings? What measures are proposed to ensure the project is in-keeping with the surroundings?:

The surrounding shoreline is a slate/rock slope with a slope of 1:6. On top of the slope is vegetative growth which will be reestablished.

5. Will the project affect navigation, recreation, and other public uses? If so, how will these effects be minimized?:

This project with the culvert replacement will take 1 day of work. It will close the roadway to one lane traffic for one day. Minimal effects on any public uses.

H. Applicant Certification

As APPLICANT, I hereby certify that the statements presented on this application are true and accurate and recognize that by signing this application, I agree to complete all aspects of the project as authorized. I understand that failure to comply with the foregoing may result in violation of the Chapter 11 of Title 29, § 401 *et seq.*, and the Vermont Agency of Natural Resources may bring an enforcement action for violations of the Act pursuant to 10 V.S.A. chapter 201.

Applicant (landowner if applicable) Signature: N/A Date: _____

I. Application Preparer Certification (if applicable)

As APPLICATION PREPARER, I hereby certify under penalty of law that this document and all attachments were prepared under my direction or supervision in accordance with a system designed to assure that qualified personnel properly gathered and evaluated the information submitted. Based on my inquiry of the person or persons who manage the system, or those persons directly responsible for gathering the information, the information submitted is, to the best of my knowledge and belief, true, accurate, and complete. I am aware that there are significant penalties for submitting false information, including the possibility of fine and imprisonment for knowing violations.

Application Preparer Signature: James CaulinDate: 03/21/2016**J. Additional Required Documentation** (Please check to ensure you have completed the following)

- All sections of the application are complete (or otherwise indicate "not applicable")
- Application includes site plans with aerial and cross section views
- Application description includes dimensions and surface areas of cleared areas and impervious surfaces
- Application includes photos of project area

K. Permit Application Fees

Select the most applicable permit description and requisite fee. If the proposed project involves more than one of the project types, multiple fees may apply. For example, a project involving structural erosion control and marina improvement will require both fees (2) and (3).

1. Non-structural erosion control project (e.g., rip rap):

Non-structural erosion control project: \$155.00		
Total:		

2. Structural erosion control project (e.g., concrete wall replacement):

Structural erosion control project: \$250.00		
Total:		

3. Other projects (e.g., marina improvements):

Other Project: \$300.00		
Project Cost Fee: 0.01 times project cost	Project cost _____ x 0.01	
Total:		

Print Form

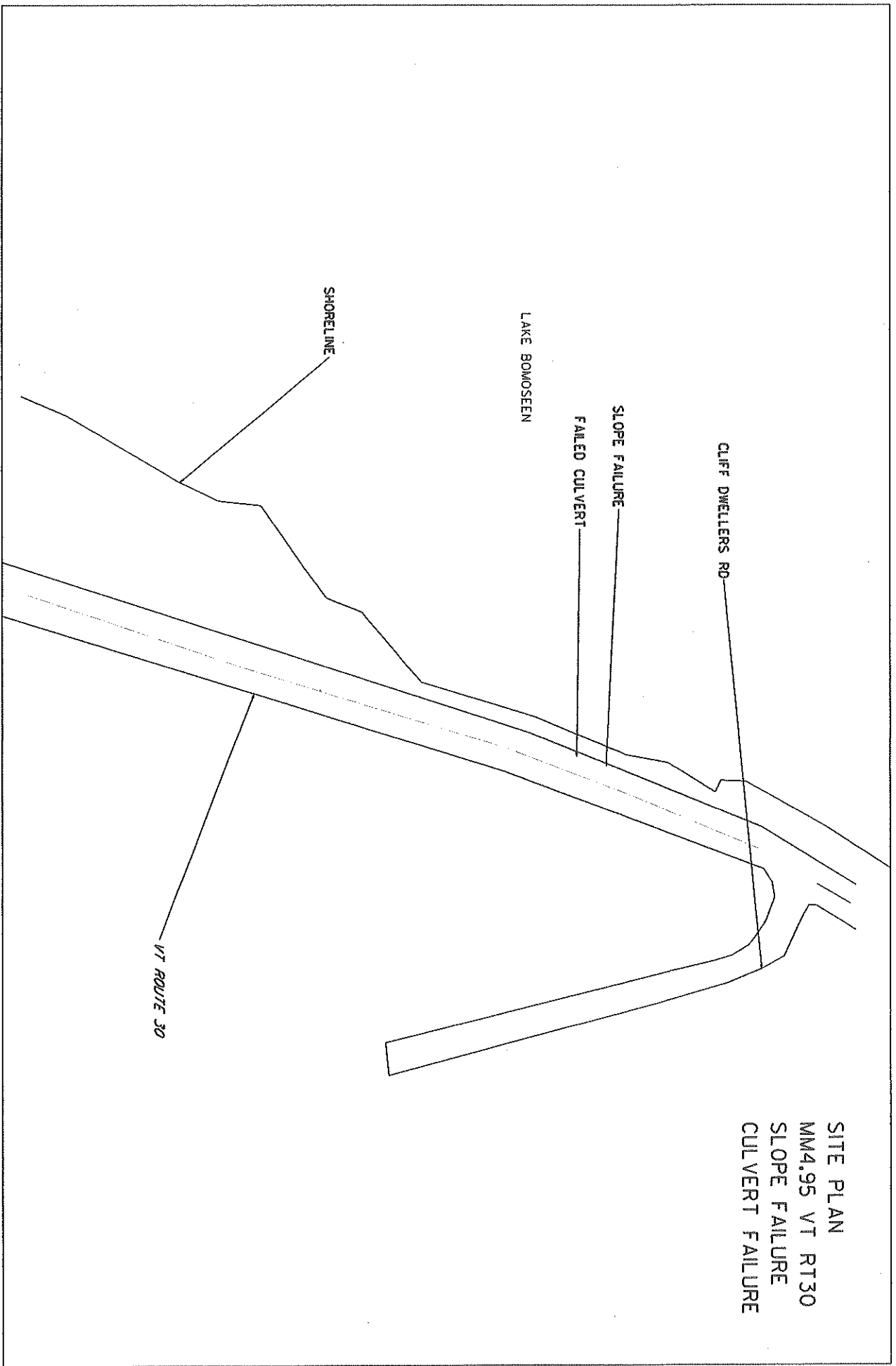
Submit this form and application fee, payable to:

State of Vermont
Vermont Department of Environmental Conservation
Watershed Management Division
1 National Life Dr, Main 2
Montpelier, VT 05620-3522

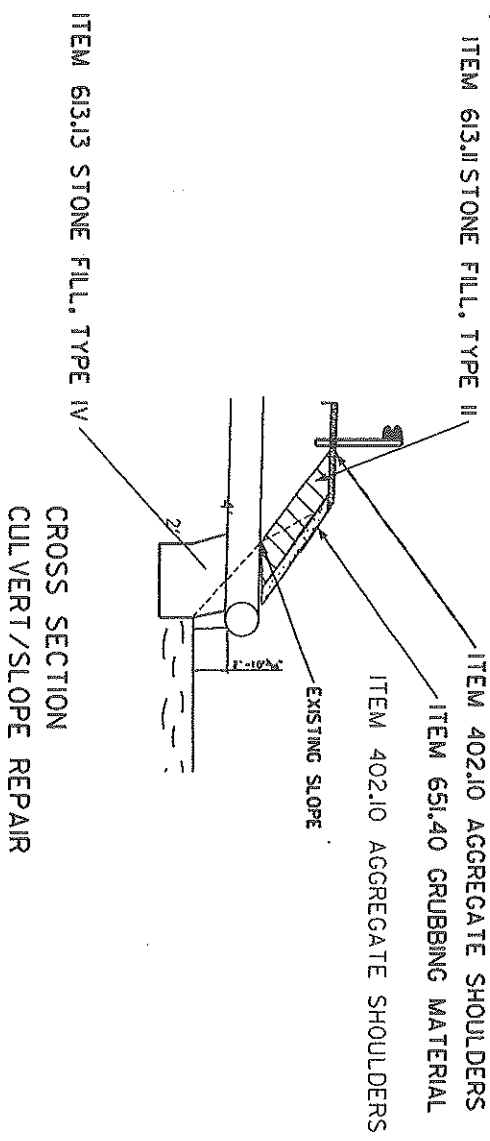
Direct all correspondence or questions to Lake Encroachment Permitting
at: ANR.WSMDShoreland@vermont.gov

For additional information visit: www.watershedmanagement.vt.gov

SITE PLAN
MM4.95 VT RT30
SLOPE FAILURE
CULVERT FAILURE

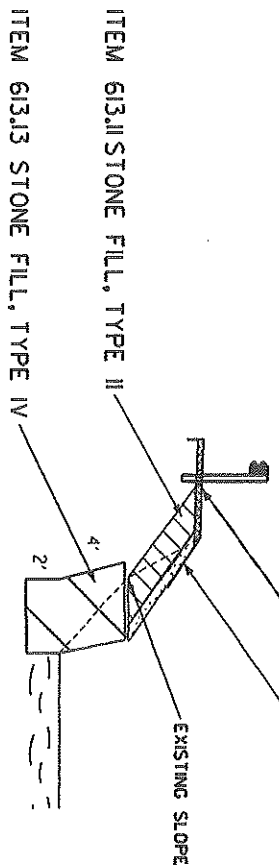


Cross Section
Slope Failure/
Culvert Replacement
MM 4.95 VT Route 30



ITEM 402.10 AGGREGATE SHOULDERS
ITEM 402.10 AGGREGATE SHOULDERS
ITEM 651.40 GRUBBING MATERIAL

- NOTES:
1. STONE FILL, TYPE IV USED FOR STACKED WALL AT H6 SLOPE, KEYED AT 2' BELOW LAKEBED. IF LEDGE, STACK OFF LEDGE. WALL SHALL BE CONSTRUCTED WITH STAGGERED JOINTS BETWEEN ROCKS ON ADJACENT TIERS.
 2. ITEM 613.11 STONE FILL, TYPE II FOR UPPER SLOPE AT H4.5 SLOPE
 3. WHERE POSSIBLE, REUSE EXISTING STONE FILL
 4. USE 6" 203.32 GRANULAR BORROW FOR BEDDING UNDER STONE FILL
 5. IN AREAS WHERE 3'7" GUARDRAIL BACKING CANNOT BE ACHIEVED, INSTALL 8' POSTS PER ITEM 621 SPECS.



CROSS SECTION
SLOPE REPAIR











