

Application for use of a **Powered Mechanical Device**
under an **Aquatic Nuisance Control Permit**
Per 10 VSA Chapter 50, § 1455



VERMONT DEPARTMENT OF ENVIRONMENTAL CONSERVATION
WATERSHED MANAGEMENT DIVISION
LAKES & PONDS PROGRAM

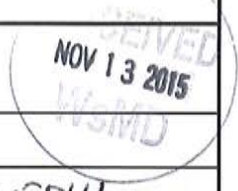
For Aquatic Nuisance Control Permit Program Use Only

Application Number:

Submission of this application constitutes notice that the entities listed below intend to use a powered mechanical device in waters of the State to control aquatic nuisance plants, insects, or other aquatic life; and that the entities below have demonstrated that (1) there is acceptable risk to the nontarget environment; (2) there is negligible risk to public health; and (3) there is either benefit to or no undue adverse effect upon the public good. Submit an application fee of \$35 for a private pond or \$175 for all other waterbodies, made payable to the State of Vermont. All information required on this form must be provided, and the requisite fees must be submitted to be deemed complete.

A. Applicant Information

1. Entity's Name: <u>Town of Groton</u>			
2a. Mailing Address: <u>1476 Scott Highway Groton</u>			
2b. Municipality: <u>Groton</u>	2c. State: <u>Vt.</u>	2d. Zip: <u>05046</u>	
3. Phone: <u>802 584 3792</u>	4. Email: <u>grotonclerk@fairpoint.net</u>		



B. Powered Mechanical Device Operator Information (Check box if same as above in Section A:)

1. Entity's Name: <u>LAKE Groton association</u>			
2a. Mailing Address: <u>152 Hooper Road</u>			
2b. Municipality: <u>Groton</u>	2c. State: <u>Vt</u>	2d. Zip: <u>05046</u>	
3. Phone: <u>802-584-3838</u>	4. Email: <u>crustyrd@gmail.com</u>		

C. Application Preparer Information (Check box if same as above: Section A or B)

1. Preparer's Name: <u>Oreste Reader</u>			
2a. Mailing Address:			
2b. Municipality:	2c. State:	2d. Zip:	
3. Phone:	4. Email:		

D. Waterbody Information

1. Name of waterbody: <u>LAKE Groton</u>	2. Municipality: <u>Groton</u>
3. Are there wetlands associated with the waterbody? <input checked="" type="checkbox"/> Yes <input type="checkbox"/> No Contact the Vermont Wetland Program: (802) 828-1535 for additional information.	
4. Are there rare, threatened or endangered species associated with the waterbody? <input checked="" type="checkbox"/> Yes <input type="checkbox"/> No Contact the Vermont Fish & Wildlife Natural Heritage Inventory: (802) 241-3700 for additional information.	
5a. Is this waterbody a private pond? <input type="checkbox"/> Yes <input checked="" type="checkbox"/> No If No, Skip to Question D6.	
5b. Is this private pond totally contained on Applicant's property? <input type="checkbox"/> Yes <input type="checkbox"/> No	
6. List the uses of the waterbody - check all that apply: <input type="checkbox"/> Water supply <input type="checkbox"/> Irrigation <input checked="" type="checkbox"/> Boating <input checked="" type="checkbox"/> Swimming <input checked="" type="checkbox"/> Fishing <input type="checkbox"/> Other:	

E. Device Activity Information

1a. Proposed annual activity start date: 6/2016 1b. Proposed annual activity end date: 9/2016

2. Nuisance(s) to be controlled:

Purple bladderwort

Submit additional information as needed.

3. Powered mechanical device to be used:

see attached

Submit a copy of the manufacturer's information, if applicable.

4. Include a detailed waterbody map indicating the exact proposed activity location(s).

5. Enclose labeled photo(s) or schematic(s) of powered mechanical device.

6. Attach a narrative description of the proposed project to include the following items:

- a) Reason(s) to control the aquatic nuisance;
- b) Brief history of the aquatic nuisance in the waterbody; and,
- c) Description of the proposed control activity.

F. Applicant/Operator Certification

As APPLICANT, I hereby certify that the statements presented on this application are true and accurate; guarantee to hold the State of Vermont harmless from all suits, claims, or causes of action that arise from the permitted activity; and recognize that by signing this application, I agree to complete all aspects of the project as authorized. I understand that failure to comply with the foregoing may result in violation of the 10 V.S.A. Chapter 50, § 1455, and the Vermont Agency of Natural Resources may bring an enforcement action for violations of the Act pursuant to 10 V.S.A. chapter 201.

Applicant/Operator Signature:  Date: 4/9/15

G. Application Preparer Certification (if applicable)

As APPLICATION PREPARER, I hereby certify under penalty of law that this document and all attachments were prepared under my direction or supervision in accordance with a system designed to assure that qualified personnel properly gathered and evaluated the information submitted. Based on my inquiry of the person or persons who manage the system, or those persons directly responsible for gathering the information, the information submitted is, to the best of my knowledge and belief, true, accurate, and complete. I am aware that there are significant penalties for submitting false information, including the possibility of fine and imprisonment for knowing violations.

Application Preparer Signature:  Date: 4/9/15

H. Application Fees

Submit this form and the \$35 or \$175 fee to:
(Municipalities are exempt from fees)

**Vermont Department of Environmental Conservation
Watershed Management Division
Aquatic Nuisance Control Permit Program
1 National Life Drive, Main 2
Montpelier, VT 05620-3522**

Direct all correspondence or questions to the Aquatic Nuisance Control Permit Program at:
Matthew.probasco@state.vt.us or (802) 490-6133

For additional information visit: www.watershedmanagement.vt.gov

November 9, 2015

Aquatic nuisance Control Permit

Lake Groton Association with the Town of Groton

To whom it may concern:

We are applying for a mechanical harvesting permit to reduce the amount of purple bladderwort in Lake Groton. This plant has been present in the lake for only two years and has reached nuisance proportions, currently 43% of the aquatic plants.

The plant is over growing other native plants such as Lilly pads. It has heavy growth from the edge of the shore to about 15 feet in water depth. Power boats, sail craft, even paddle craft have a difficult time maneuvering in the heavy matt of this material. Swimming is also hindered.

If we continue to allow this plant to proliferate, it will detract from the value of our beautiful state forest campground, as well as the Boulder beach. Property values will be impacted, and the area will lose its recreational appeal. Since the plant was discovered in 2014, it has risen to be the dominant species. 43% of the plant life on Lake Groton is Purple Bladderwort.

We had Josh Mulhollem from the water quality division out to the lake to evaluate the status of this plant. He concurs that it has reached nuisance levels. The Lake Groton Association has met, and has voted to pursue a remediation plan. For the season of 2015 waterfront land owners were raking this material to the shore and composting it. The amount of material, its water weight, and the difficulty to remove it from certain shores has driven the idea that we need to harvest this plant on a larger scale. There were 103 members present at the 2015 fall meeting and it was unanimous to pursue a formal harvest plan.

The lake is 422 acres in size. The plant is present on the east, west, north and south shallow areas. As mentioned above it grows from the shore out to 15 feet. With that said it also moves with the currents, and wind shifts, so it can be found in the deeper areas of the lake as well. Refer to attached diagram from the 2014 aquatic plant survey.

The device used to remove the plant would be a rake. This device will be 6-8 feet in length, made from wood, have a counter weight and cables to attach to a motorized boat (see attached drawing). This rake will be carried by hand labor to the water. Once in the water the rake will be attached to a towboat,

and at slow speeds brought around a plant infested area. Once the rake has gotten a full load, it will be brought to a shore for plant removal. This may be accomplished by attaching the tow rope to a motorized vehicle and dragging the rake onto the shore. Once the water is drained from the plant it can be loaded either manually or by automated means into a transport vehicle. A special mention here, the bladderwort is a suspended plant. The rake mentioned is a suspended rake, meaning it will have floats, and the design of the unit will be to capture the suspended bladderwort. The bottom of the lake will not be disturbed, and other bottom plant life will not be hindered. In areas where lily pads are prevalent, we can circumvent so as not to allow for damage to them.

Material raked will be gathered at certain areas around the lake for removal, and composting at a location away from this lake, and any other body of water. As of this time, the possible removal points would be the Stillwater campground boat launch, private waterfronts at the North end, and south ends of the lake and the dam area with access from the Ricker Pond campground.

There has been discussion about removing the plant material to be discarded on private land, and or used as compost. Green Mountain Compost Company has expressed interest in taking the plant material for its compost plant.

Harvest time will commence in mid-June when the plant starts to immerge, and will likely be performed over the course of several days. After the initial raking, we will evaluate the effectiveness of the process, and determine if a second raking needs to be performed.

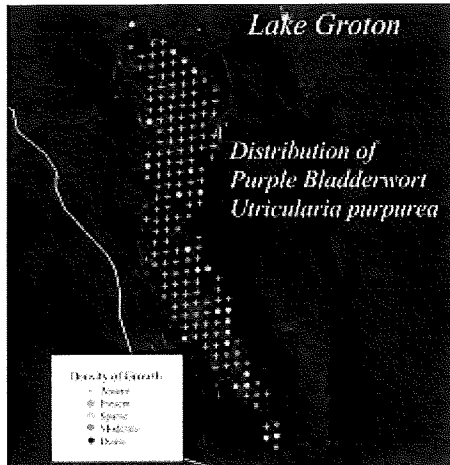
In conclusion, the goal of this project is to remove the large quantity of bladderwort that hinders recreational use of Lake Groton with the least invasive means possible. We feel the rake would accomplish that goal. Please consider our application.

Thank you-

Oreste Reader

President of the Lake Groton Association contact number : 802-584-3838

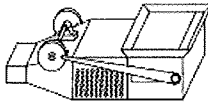
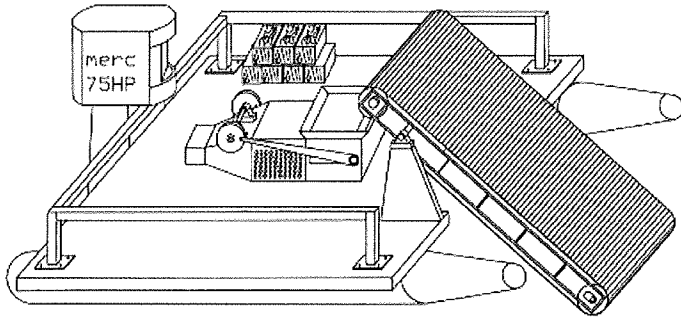
Attached: Rake diagrams



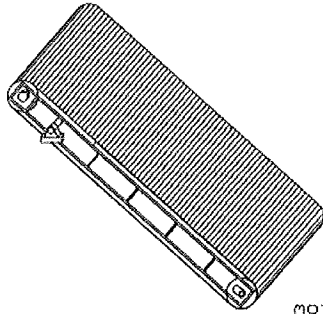
This Map is from the 2014 Darrin fresh water institute aquatic survey performed on Lake Groton in 2014

- In 2014 43% of the aquatic plant life on the lake is the purple bladderwort
- In 1999, and in 2003 purple bladderwort was not noted in the aquatic surveys performed.
- Most of the moderate (orange circles) could be changed to dense (red circles) for 2015
- The survey made mention that the “rapid expansion of this species warrants scrutiny”

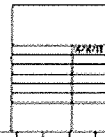
motorized barge or
pontoon boat

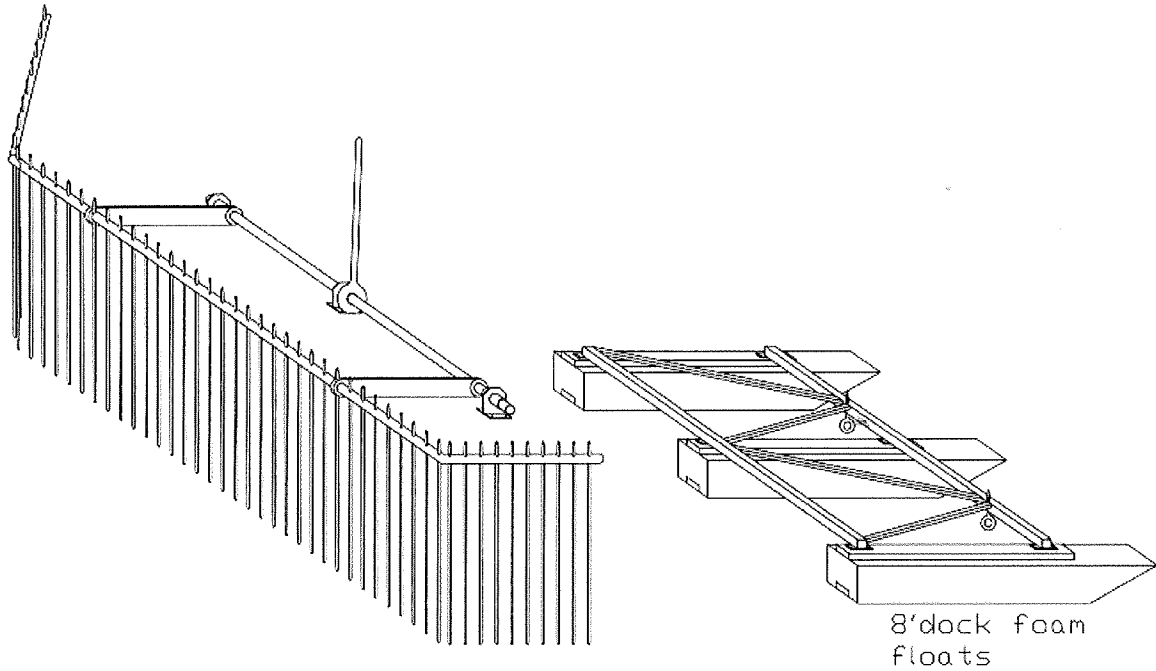


compaction devise
to remove excess
water



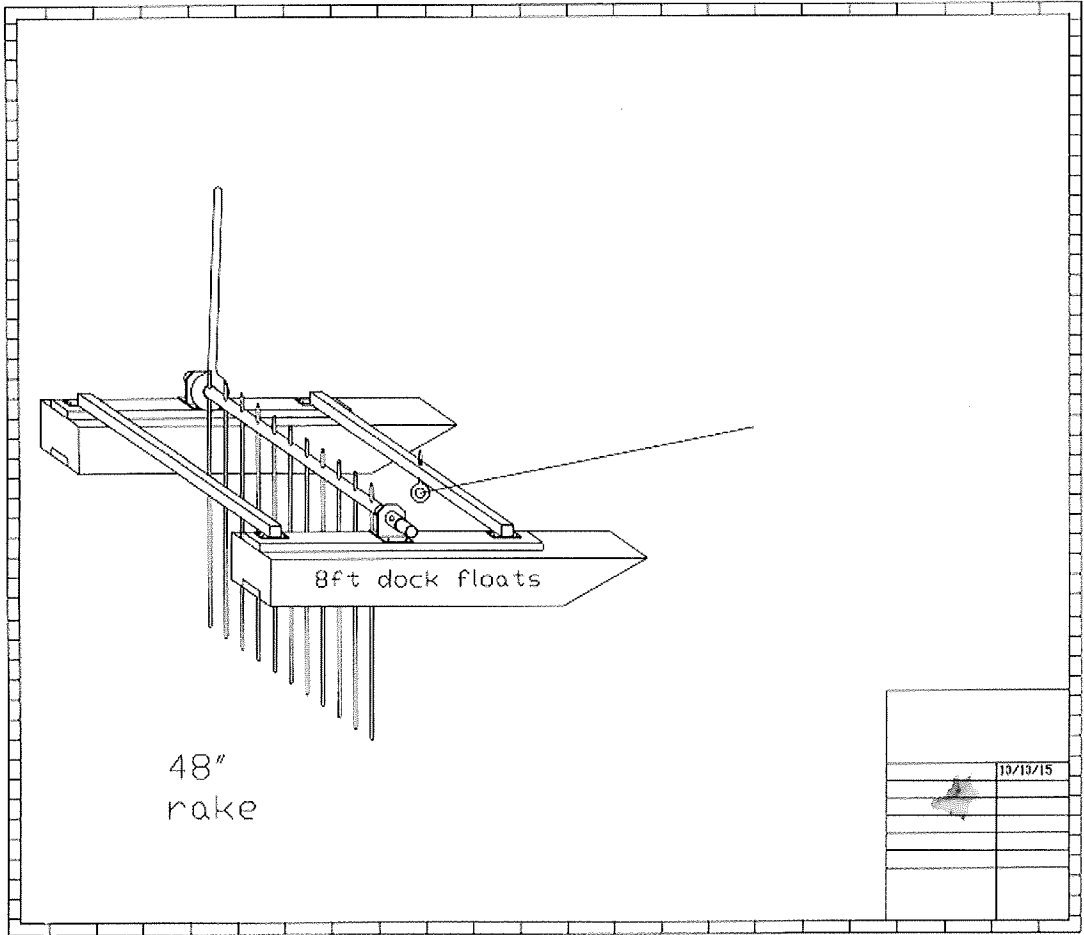
motorized
conveyor to
bring crop in
deck



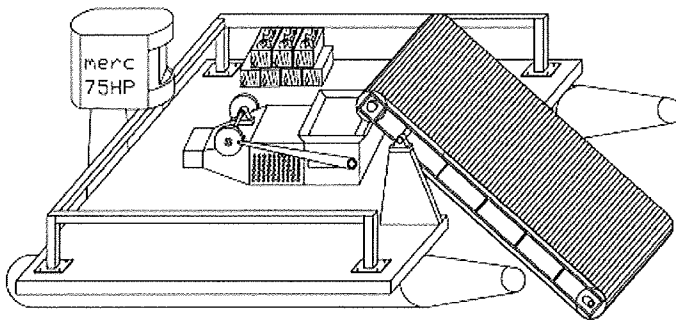


8'dock foam floats

220"
rake



motorized barge or
pontoon boat



	10/10/75

