

Aboveground Storage Tank (AST) Routine/New Customer Inspection Checklist

Approved for use by the Agency of Natural Resources on 2/5/2024



Aboveground storage tank (AST) inspections are required by the Aboveground Storage Tank Rules, (effective August 15, 2017). Tank inspections are required to be conducted in accordance with Section 9-306 of the Rules. This checklist is to be completed by the person inspecting the tank. The tank inspector is required to provide a copy of the completed checklist to the tank owner **within two business days** of the date of inspection. A copy of the completed checklist shall also be retained by the tank inspector for **three years** and shall be provided to the Agency of Natural Resources upon request.

Tank Owner Info:

Name:	Address:
City/Town:	Phone/email:

Type of Inspection: Routine (once every three years) New Customer

The number at the end of each question refers to the tank diagram on page 2 of checklist

Is the tank on a stable foundation? (i.e., the tank is freestanding, no evidence of leaning or tilting, no evidence of subsidence) (1)	<input type="checkbox"/> Yes	<input type="checkbox"/> No
Are buried fuel line(s) coated and/or sleeved to protect against corrosion and damage? (2) <input type="checkbox"/> N/A	<input type="checkbox"/> Yes	<input type="checkbox"/> No
Is the vent line equipped with an operational vent alarm that is within 12 feet of the fill pipe and visible from the fill pipe? (3)	<input type="checkbox"/> Yes	<input type="checkbox"/> No
Is the fill and vent line diameter a minimum 1 ¼ inches? (4)	<input type="checkbox"/> Yes	<input type="checkbox"/> No
Are the tank and legs free of cracks, pitting, corrosion, dents, and bulges; and are all fittings free of leaks, weeps, drips, or other signs of a release? (5) If NO, check all that apply below: Cracks in tank legs or tank ___ Dents or bulges visible in tank ___ Bottom of the tank is damp ___ Tank is actively leaking or dripping ___ Staining of soil or foundation under the tank ___ Excessive rust on tank ___ Excessive rust on legs ___ Pitting on tank ___ Visible evidence of leak at the fill or vent pipe (top of tank) ___	<input type="checkbox"/> Yes	<input type="checkbox"/> No
If any of the answers to items above is "No," the inspector shall affix a "Do Not Fill" tag to the tank and must report the inspection to the Agency: https://anrweb.vt.gov/DEC/ERT/Non_Compliant_AST.aspx		
If the tank is located outside, is it protected from hazards (falling ice, tree debris, etc.)? (Check N/A only if the tank is either inside or outside but on gable end of a structure) (6) <input type="checkbox"/> N/A	<input type="checkbox"/> Yes	<input type="checkbox"/> No
Does the tank have an operational fuel level gauge? (7)	<input type="checkbox"/> Yes	<input type="checkbox"/> No
Are all tank legs no longer than 14 inches in length? (8)	<input type="checkbox"/> Yes	<input type="checkbox"/> No
Does the tank have a shut-off valve? (9)	<input type="checkbox"/> Yes	<input type="checkbox"/> No
Are all un-used openings plugged/closed?	<input type="checkbox"/> Yes	<input type="checkbox"/> No
Other tank system notes (e.g. age of tank, if known, potential problems, etc.):		

CERTIFICATION STATEMENT

I, _____, as the inspector of the AST do certify that the AST
(Print name and company)

installed at _____
(Property address/owner)

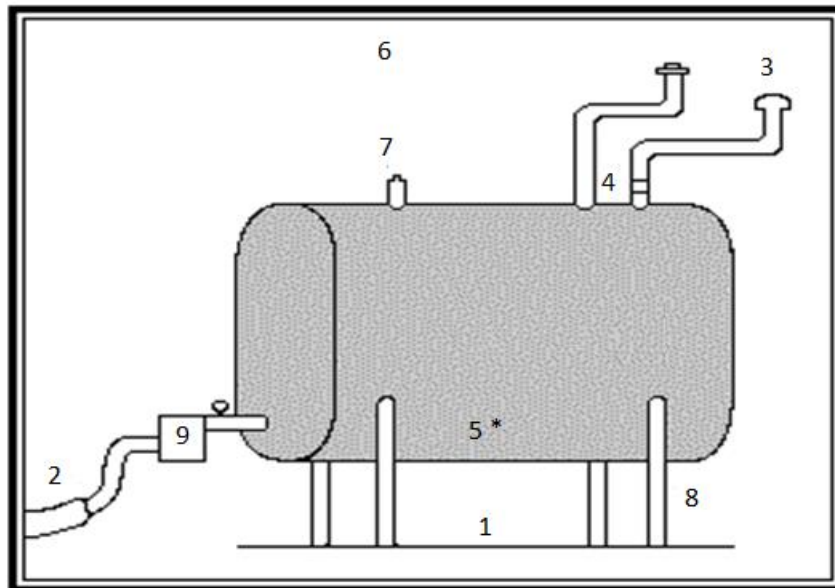
was inspected on: _____
(Date)

(Signature of certified tank inspector)

(Date)

RECOMMENDED REPAIRS/ UPGRADES

- | | |
|--|---|
| <input type="checkbox"/> Repair or replace foundation | <input type="checkbox"/> Replace fill and/or vent line(s) |
| <input type="checkbox"/> Replace w/ coated lines | <input type="checkbox"/> Replace tank or tank legs |
| <input type="checkbox"/> Install vent alarm or move alarm to approved location | <input type="checkbox"/> Other: _____ |



*Item 5 only applies to Routine/New Customer Checklist

DISCLAIMER: This inspection checklist has been developed to assist in performing AST inspections pursuant to the AST Rules, effective August 15, 2017. A full description of inspection requirements and other compliance information can be found in the Rules, located here:

https://dec.vermont.gov/sites/dec/files/wmp/UST/2017_07_28_AST.Rules_.2017.FINAL_ADOPTED_CLEAN.pdf

ANR Contact Information:

Main Office: (802) 828-1138

Hazardous Materials Program Manager: Anna Bourakovsky (802) 477-2981 anna.bourakovsky@vermont.gov

Storage Tanks Section Supervisor: Michael Nahmias (802) 522-4595 michael.nahmias@vermont.gov

ANR Tanks web page: <http://dec.vermont.gov/waste-management/storage-tanks>