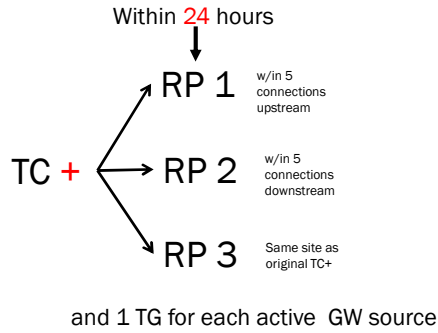


# Sampling Example – Single Monthly Sample

## Month 1

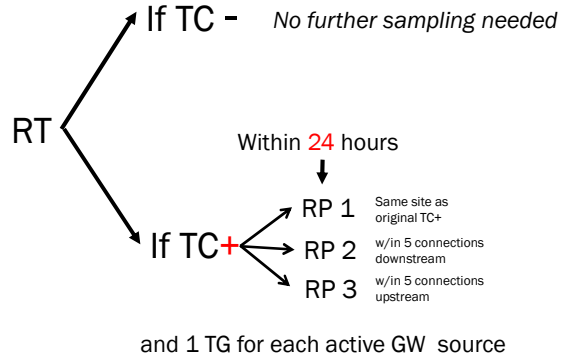


Notes:

- Systems must take 3 repeat samples for **each** positive routine sample.
- A site assessment is triggered if 2 or more samples are TC+ within a month.

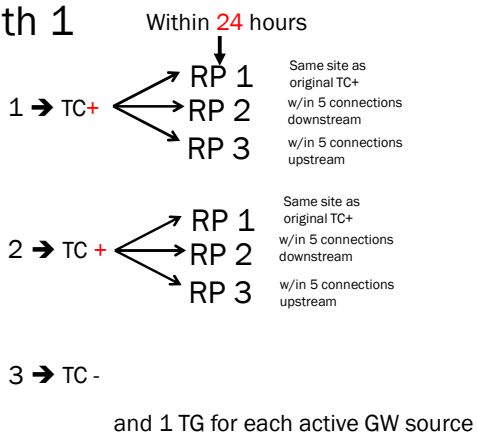
## Month 2

System continues normal monthly monitoring



# Sampling Example – Multiple Monthly Samples

## Month 1

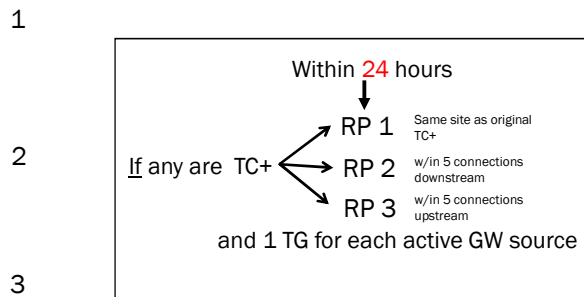


Notes:

- Systems must take 3 repeat samples for **each** positive routine sample.
- Regardless of the RP results, a site assessment is triggered because 2 RT samples are TC+

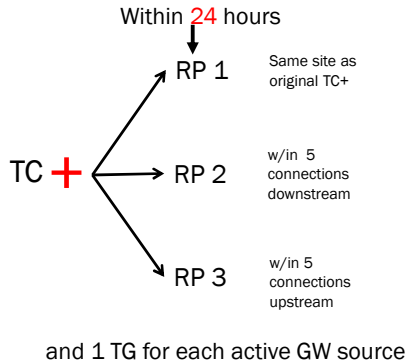
## Month 2

System continues normal monthly monitoring



# Sampling Example – Quarterly Sample

## Month 1



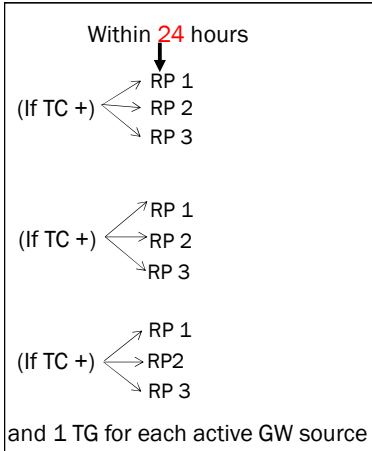
Notes:

- Systems must take 3 repeat samples for **each** positive routine sample.
- A site assessment is triggered if 2 or more samples are TC+ within a month.

## Month 2

3 Additional Routine samples are required the next month following the quarterly routine TC+ sample

Additional Routine 1



Additional Routine 2

Additional Routine 3

## E. coli

*E.coli* + routine samples require repeat samples to be taken **within 24 hours**.

- If the system can not sample within 24 hours, a boil water notice is required.
- The results of the repeat samples are reviewed to see if an *E. coli* MCL is violated.

E. Coli MCL Violation

TC+ RT → EC+ RP

EC+ RT → TC+ RP (or EC+)

TC+ RT → TC+ RP and *E. coli* not analyzed

EC+ RT → Failure to report all Repeat samples

An *E. coli* MCL violation requires a boil water notice to be implemented within 24 hours. It also requires a Level 2 Site Assessment.

## Key RTCR Takeaways

- 3 repeat samples are required for **EACH** TC+ sample.
- Repeat samples are required to be collected within **24 hours** of notification unless the system has specific permission from DWGWP to sample according to another schedule.
- Quarterly systems must collect 3 additional routines the month following a TC+ routine sample (unless increased monitoring is triggered).
- Two or more TC+ samples in one month triggers a site assessment.
- Groundwater Systems must collect one triggered groundwater (TG) sample for each well in use at the time of a TC+ routine distribution sample
- *E. coli* MCL = Boil Water Notice
- *E. coli* RT+ and system can't take repeats within 24 hours = Boil Water Notice
- Sample according to the system's approved sampling plan
- Sample early in the week and monitoring period wherever possible
- Contact the State with any questions

## Drinking Water and Groundwater Protection Contacts

### Community and NTNC Systems:

David Love 802-585-4902

[david.love@Vermont.gov](mailto:david.love@Vermont.gov)

Jeff Girard 802-585-0314

[jeff.girard@Vermont.gov](mailto:jeff.girard@Vermont.gov)

Ben Montross 802-498-8981

[ben.montross@Vermont.gov](mailto:ben.montross@Vermont.gov)

### TNC Systems:

Tanya Dyson 802-461-6143

[tanya.dyson@Vermont.gov](mailto:tanya.dyson@Vermont.gov)

Meredith Maskell: 802-585-4896

[meredith.maskell@Vermont.gov](mailto:meredith.maskell@Vermont.gov)

Bridget Phillips: 802-477-2237

[bridget.phillips@Vermont.gov](mailto:bridget.phillips@Vermont.gov)

## Acronyms

- RT – Routine
- RP – Repeat
- TG – Triggered Groundwater
- GW – Groundwater
- TC – Total Coliform
- EC – *E. coli*
- MCL – Maximum Contamination Level